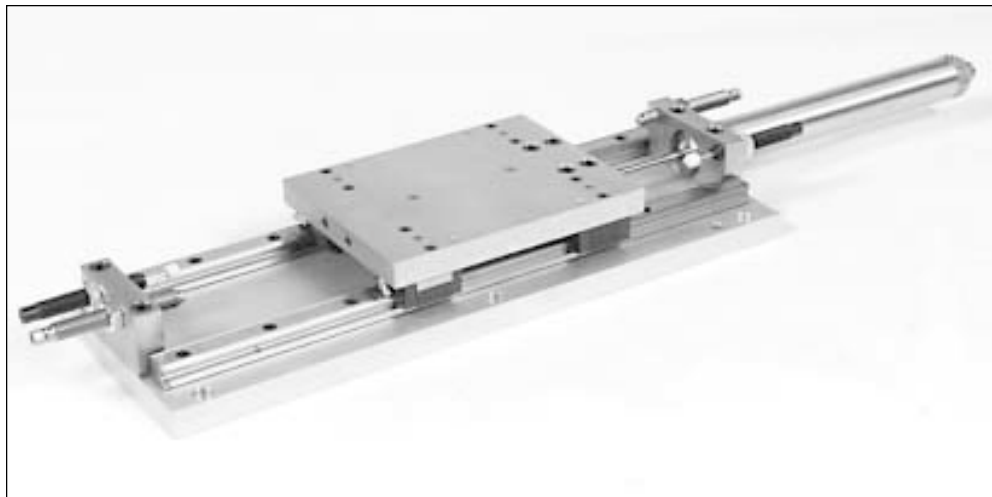
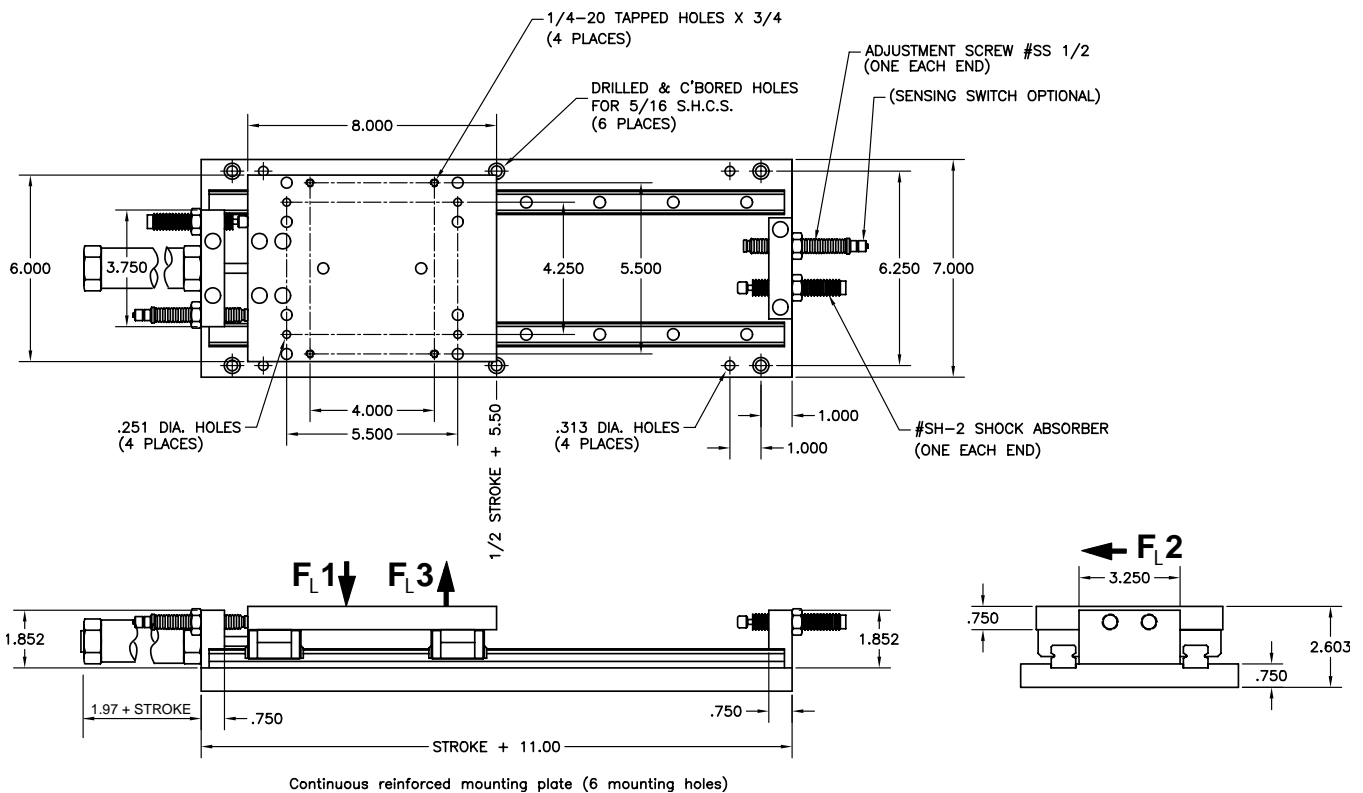


# TSB-3 Table Slide



Optional sensing switches available. See pages 82-85



**Order:**  
**TSB-3(stroke)**  
 Bore = 1 1/8"  
 Force at 80 psi: 72 lbs

F<sub>L1</sub> = 320 lbs  
 F<sub>L2</sub> = .75 x F<sub>L1</sub>  
 F<sub>L3</sub> = .50 x F<sub>L1</sub>  
 Approx. Weight = 16 lbs + .5 x (stroke) = lbs  
 Available strokes up to 8" in 1" increments

**Technical data**

- Stroke designed with built in stopscrews with fine threads
- The stopscrews can be used with sensing switches
- Designed for production rates and long life
- Seal kits and rebuilt kits available.

Operating medium  
 Operating pressure  
 Repeat accuracy  
 Air connection

Compressed air  
 60-100 psi  
 ±0.0005 in  
 1/8 NPT