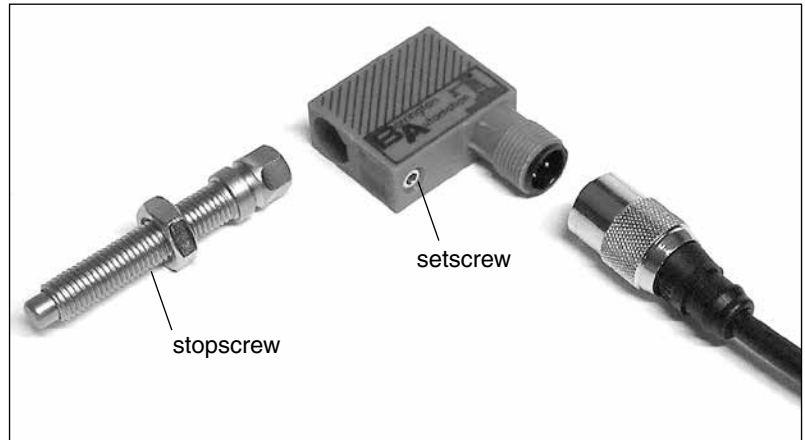


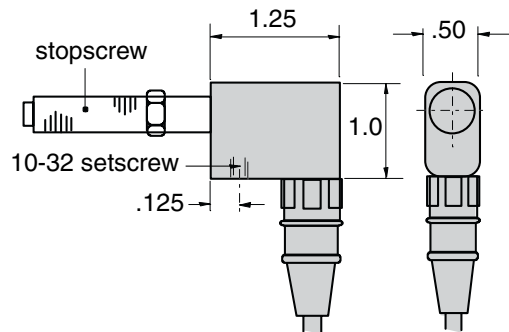
# Sensing Switches

## PRS-Q PRS-QP

Inductive proximity type



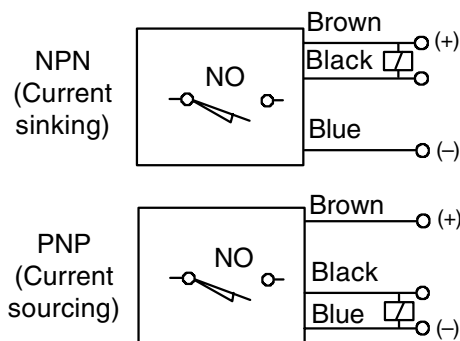
### Dimensions



### Technical data:

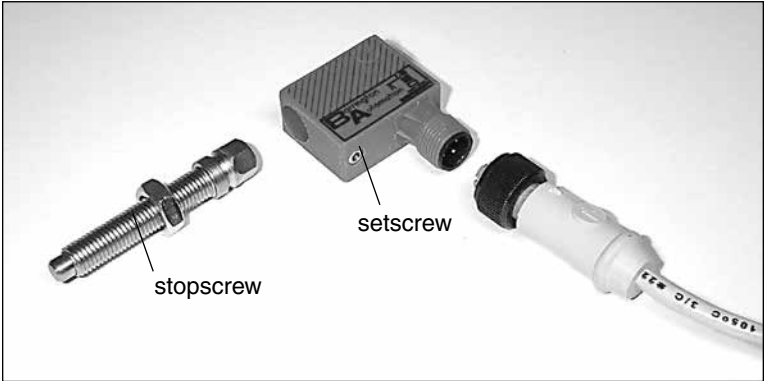
Operating voltage	10-60 VDC
Max. overload	10%
Open circuit current	100 mA
Max. current overload	100 mA
Output function	NPN or PNP
Output type	Digital
Max. switch frequency	2 kHz
Status indicator with LED	YES
Sensing distance	
Overvoltage protection	YES
Polarity protection	YES
Short circuit protection	YES
Operating temperature	-14° to +158°
Installation	These sensors are designed for use with stop screw type SS
Main material of construction	Polymide glass filled
Connection	2m-3 wire cable or quick disconnect
Durability	10,000,000 cycles
<b>Description:</b>	<b>Order No.:</b>
Sensor switch with 2m cable connected by screw plug	NPN                      PNP
	<b>PRS-Q                      PRS-QP</b>
Sensor switch without cable	<b>PR-SO                      PR-SOP</b>
2m cable with connector	<b>PQ-C                      PQ-C</b>

### Function schematic

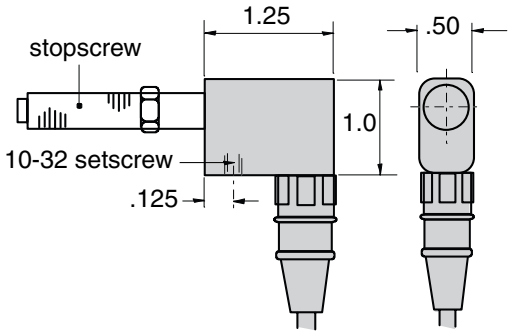


# Sensing Switches

## PAC-Q

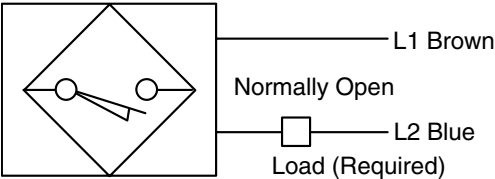


### Dimensions



**NOTE:** Do not operate sensor without load

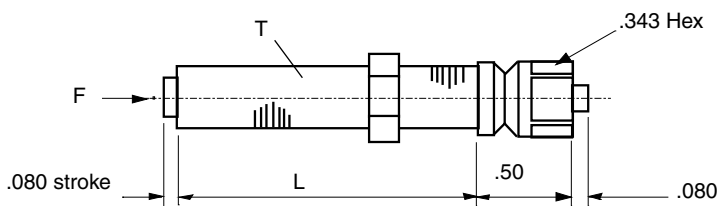
### Function schematic



### Technical data:

Operating voltage	90-130 VAC
Leakage current	≤1.7 mA
Voltage drop	<8 VAC @ 8 mA
Open circuit current	
Max. current overload	100 mA
Output function	AC
Output type	Digital
Max. switch frequency	25 Hz
Status indicator	
with LED	YES
Overvoltage protection	NA
Polarity protection	NA
Short circuit protection	NA
Operating temperature	-14°F to +158°F
Installation	These sensors are designed for use with stop screw type SS
Main material of construction	Polymide glass filled
Connection	2m-3 wire quick disconnect
Durability	10,000,000 cycles
<b>Description</b>	<b>Order No.:</b>
Sensor switch with 6 ft cable connected by screw plug	<b>PAC-Q</b>
Sensor switch without cable	<b>PAC-SO</b>
2m cable	
with connector	<b>EQ-C</b>



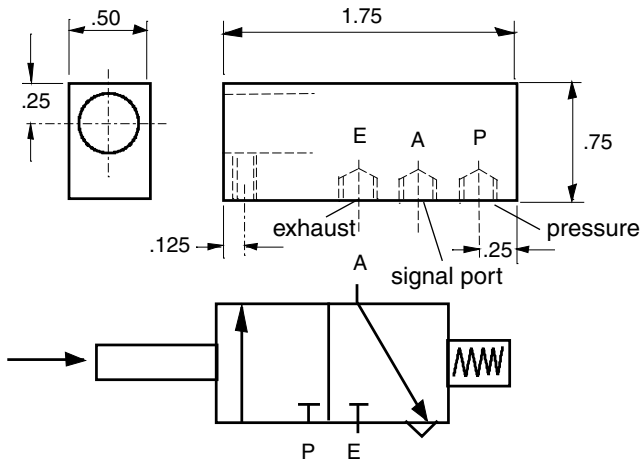
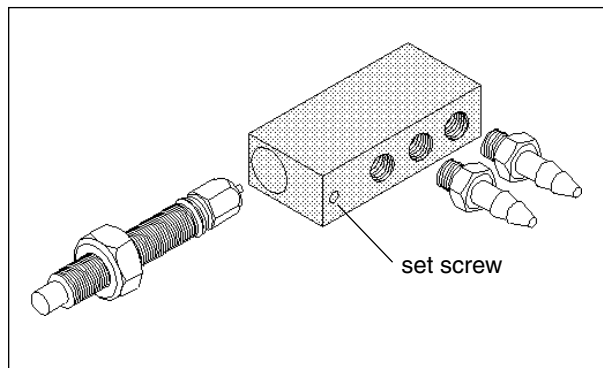


Type	T	L	F.max.
SS-5/16L	5/16-24	1.50	200 lbs
SS-1/2	1/2-20	3.25	1500 lbs
SS-1/2S	1/2-20	1.50	1500 lbs
SS-3/4	3/4-16	4.25	4500 lbs

# Pneumatic Sensing Switch

**PN**

Pneumatic type (normally closed)



Signal is maintained while stop screw is depressed.  
 Fits all SS stop screws. Operating pressure P = 15 - 120 psi.  
 Signal pressure A = P when activated.  
 Connection ports 10-32 (2)  
 Aluminum body