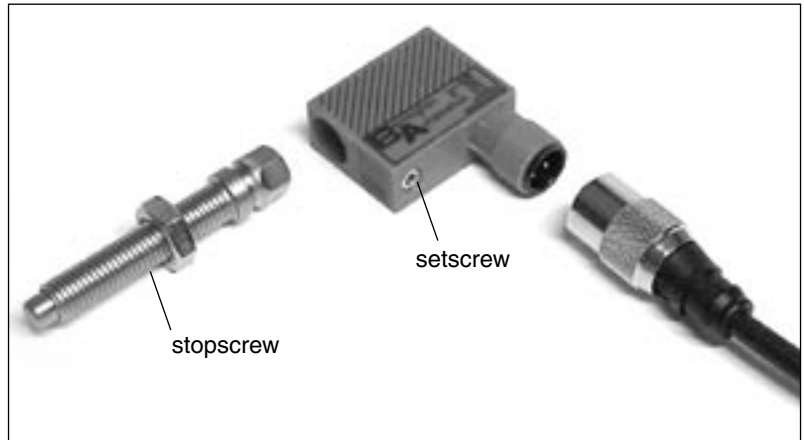


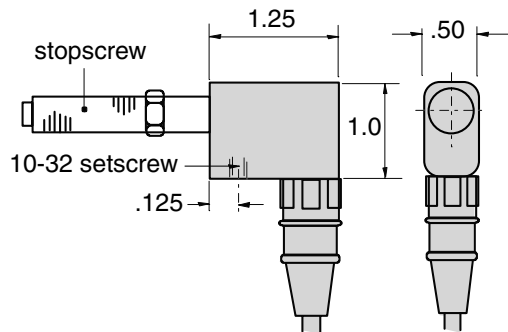
# Sensing Switches

## PRS-Q PRS-QP

Inductive proximity type



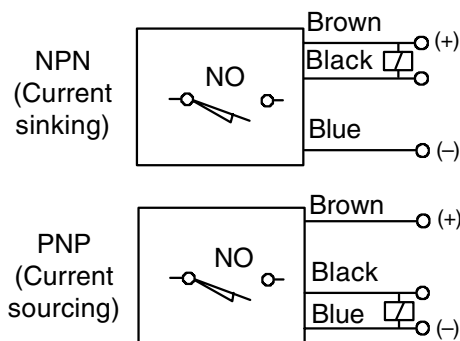
### Dimensions



### Technical data:

Operating voltage	10-60 VDC
Max. overload	10%
Open circuit current	100 mA
Max. current overload	100 mA
Output function	NPN or PNP
Output type	Digital
Max. switch frequency	2 kHz
Status indicator with LED	YES
Sensing distance	
Overvoltage protection	YES
Polarity protection	YES
Short circuit protection	YES

### Function schematic



Operating temperature	-14° to +158°
Installation	These sensors are designed for use with stop screw type SS

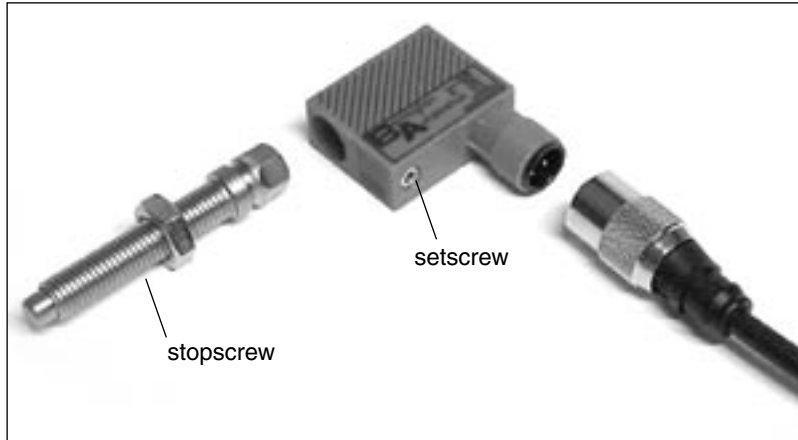
Main material of construction	Polymide glass filled
Connection	2m-3 wire cable or quick disconnect
Durability	10,000,000 cycles

Description:	Order No.:	
	NPN	PNP
Sensor switch with 2m cable connected by screw plug	<b>PRS-Q</b>	<b>PRS-QP</b>
Sensor switch without cable	<b>PR-SO</b>	<b>PR-SOP</b>
2m cable with connector	<b>PQ-C</b>	<b>PQ-C</b>
5m cable with connector	<b>PQ-C5</b>	<b>PQ-C5</b>

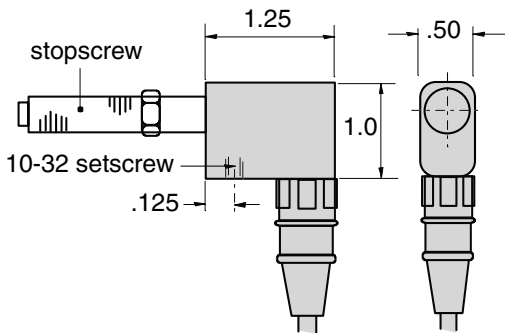
# Sensing Switches

**PRX**

Inductive proximity type



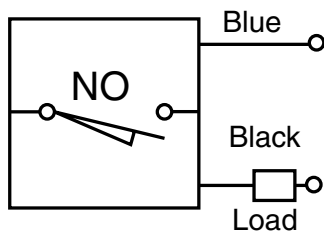
## Dimensions



## Technical data:

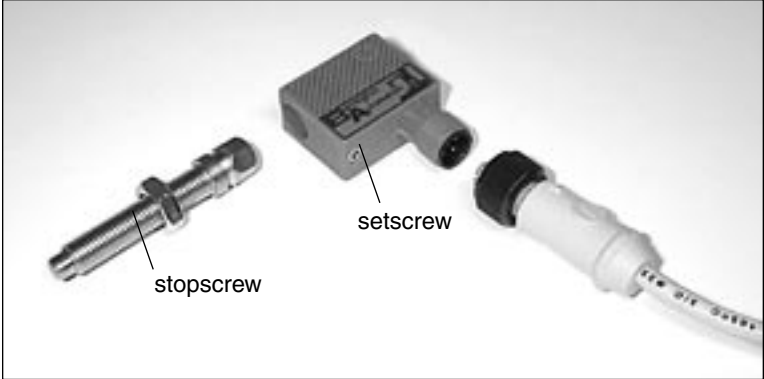
Supply voltage	6-60 VDC
Load current	4-100 mA
Current consumption	≤.7 mA
Voltage drop	≤6 VDC
Leakage current	≤.7mA
Output type	Digital
Repeatability	≤10%
Status indicator LED	YES
Switching hysteresis	5%
Overvoltage protection	NO
Polarity protection	YES
Short circuit protection	NO
Operating temperature	-14° to +158°
Installation	These sensors are designed for use with stop screw type SS
Main material of construction	Polymide glass filled
Connection	2m-3 wire cable or quick disconnect
Durability	10,000,000 cycles
<b>Description:</b>	<b>Order No.:</b>
Sensor switch with 2m cable connected by screw plug	NPN or PNP
Sensor switch without cable	<b>PRX</b>
2m cable with connector	<b>PRX-SO</b>
5m cable with connector	<b>PQ-C</b>
	<b>PQ-C5</b>

## Function schematic

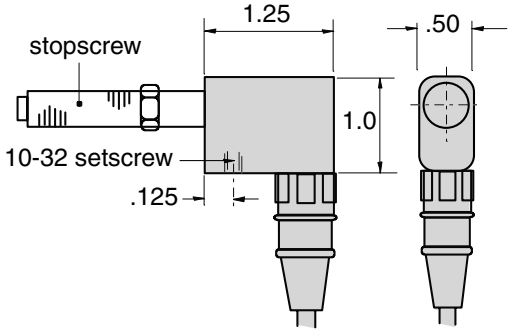


# Sensing Switches

## PAC-Q

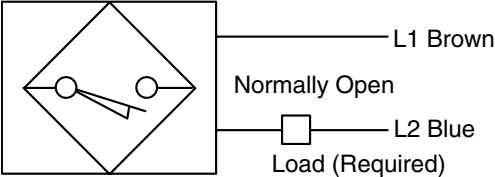


### Dimensions



**NOTE:** Do not operate sensor without load

### Function schematic

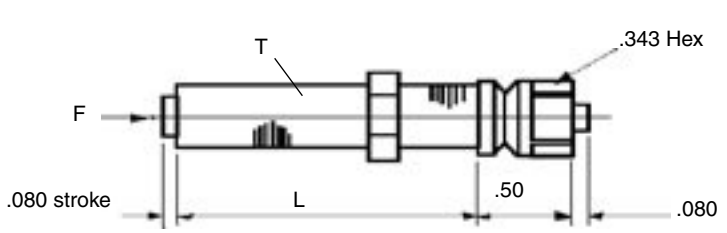


### Technical data:

Operating voltage	90-130 VAC
Leakage current	≤1.7 mA
Voltage drop	<8 VAC @ 8 mA
Open circuit current	
Max. current overload	100 mA
Output function	AC
Output type	Digital
Max. switch frequency	25 Hz
Status indicator	
with LED	YES
Overvoltage protection	NA
Polarity protection	NA
Short circuit protection	NA
Operating temperature	-14°F to +158°F
Installation	These sensors are designed for use with stop screw type SS
Main material of construction	Polymide glass filled
Connection	2m-3 wire quick disconnect
Durability	10,000,000 cycles

Description	Order No.:
Sensor switch with 6 ft cable connected by screw plug	<b>PAC-Q</b>
Sensor switch without cable	<b>PAC-SO</b>
2m cable with connector	<b>EQ-C</b>
5m cable with connector	<b>EQ-C5</b>



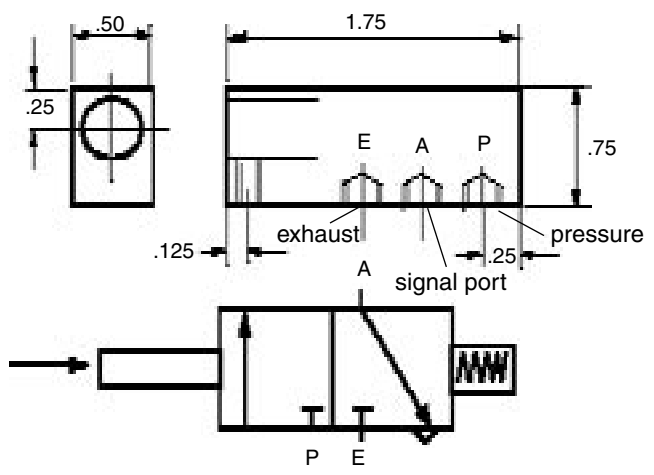
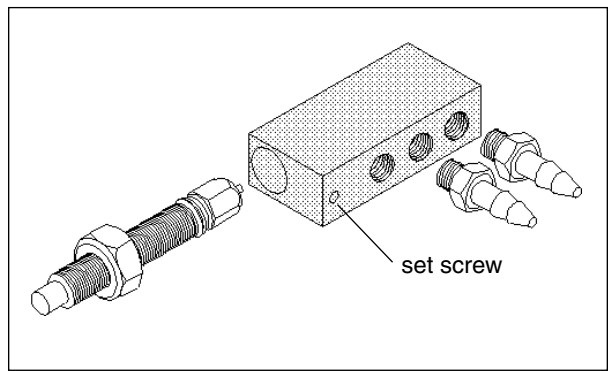


Type	T	L	F.max.
SS-5/16S	5/16-24	0.62	200 lbs
SS-5/16L	5/16-24	1.50	200 lbs
SS-1/2	1/2-20	3.25	1500 lbs
SS-1/2S	1/2-20	1.50	1500 lbs
SS-3/4	3/4-16	4.25	4500 lbs

# Pneumatic Sensing Switch

**PN**

Pneumatic type (normally closed)



Signal is maintained while stop screw is depressed.  
 Fits all SS stop screws. Operating pressure P = 15 - 120 psi.  
 Signal pressure A = P when activated.  
 Connection ports 10-32 (2)  
 Aluminum body

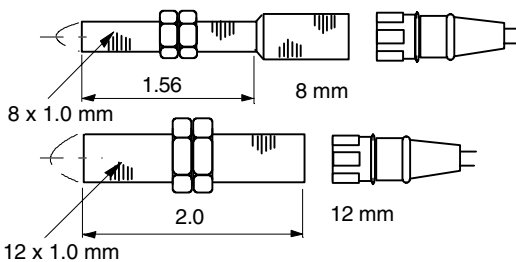
# Sensing Switches

## BP-Q

Inductive proximity type



### Dimensions



### Technical data:

Operating voltage	6-60 VDC	
Max. overload	10%	
Open circuit current	<5 mA	
Max. current overload	≤200 mA	
Output function	NPN or PNP	
Output type	Digital	
Max. switch frequency	1 kHz	
Status indicator with LED	YES	
Sensing distance	BP-8Q	BP-12Q
	1.5 mm	2.0 mm
Ovoltage protection	YES	
Polarity protection	YES	
Short circuit protection	YES	
Operating temperature	-14° to +158°	
Installation	Clearance holes or tapped	
Main material of construction	Threaded metal housing	
Connection	2m-3 wire cable quick disconnect	
Durability	10,000,000 cycles	
<b>Description:</b>	<b>Order No.:</b>	
Sensor switch with 2m cable connected by screw plug	NPN <b>BP-8Q</b> (8 mm) <b>BP-12Q</b> (12 mm)	PNP <b>BP-8QP</b> <b>BP-12QP</b>
Sensor switch without cable	<b>BP-8</b> (8 mm) <b>BP-12</b> (12 mm)	<b>BP-8P</b> <b>BP-12P</b>
2m cable with connector	<b>PQ-C</b>	<b>PQ-C</b>
5m cable with connector	<b>PQ-C5</b>	<b>PQ-C5</b>

### Function schematic

