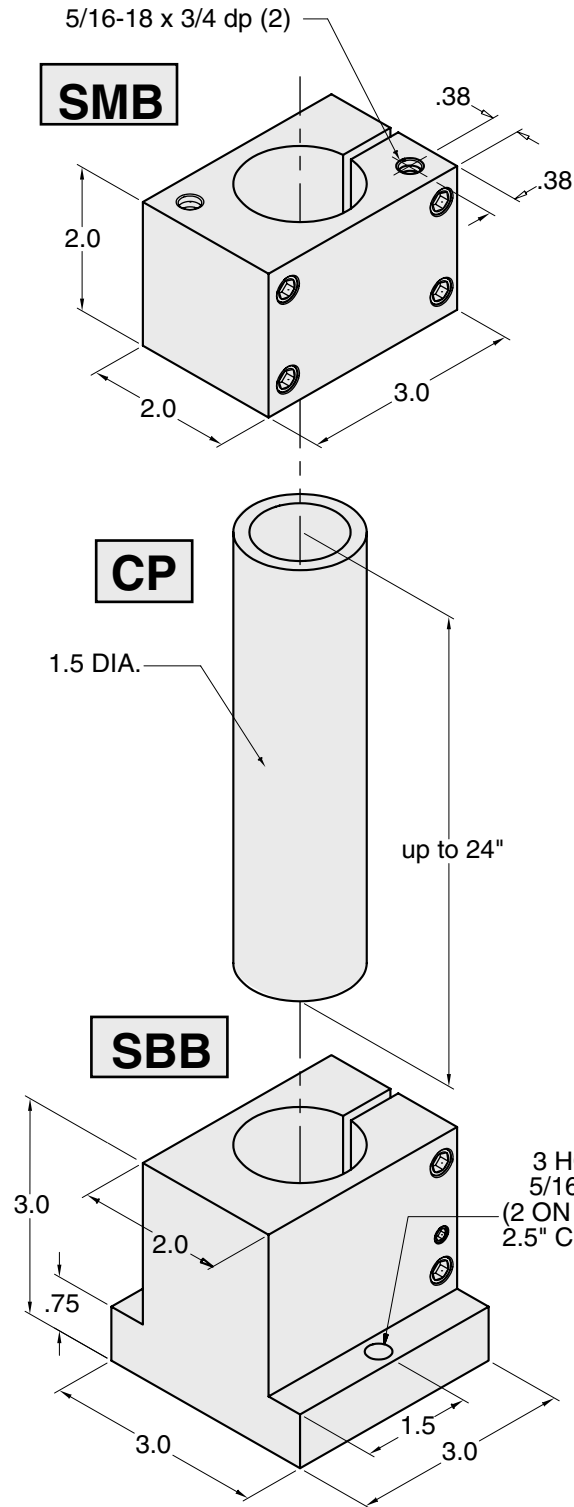
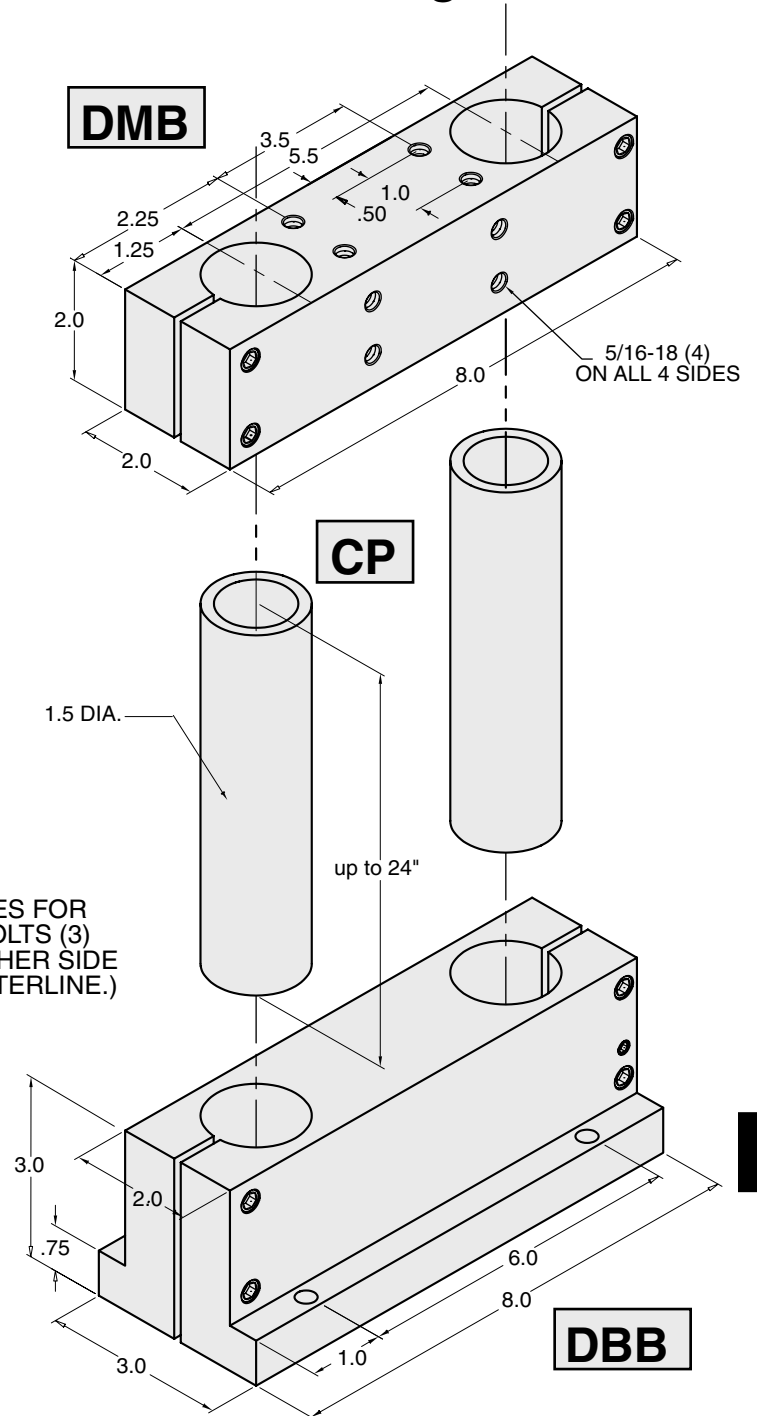


## Single Mounting Stand



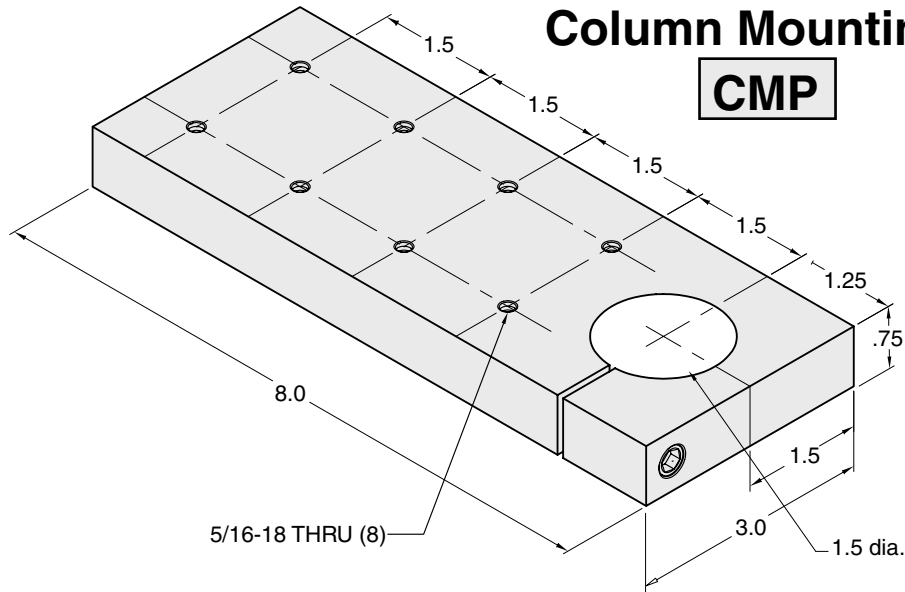
## Double Mounting Stand



**R**

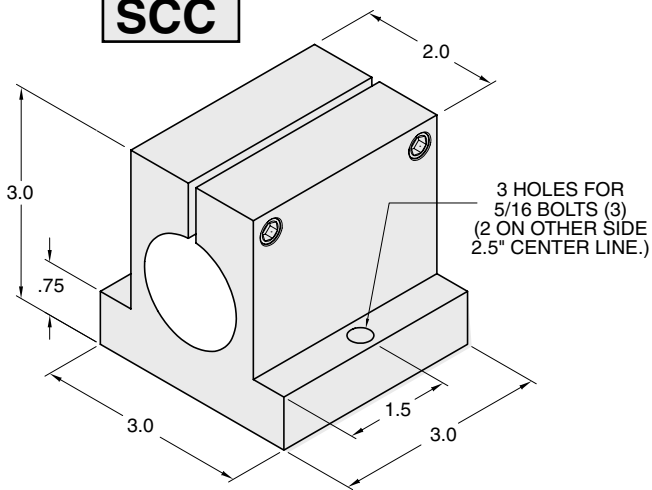
## Column Mounting Plate

**CMP**



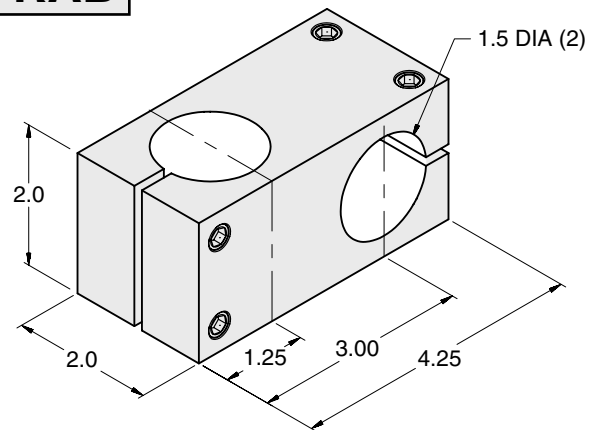
## Single Column Clamp

**SCC**



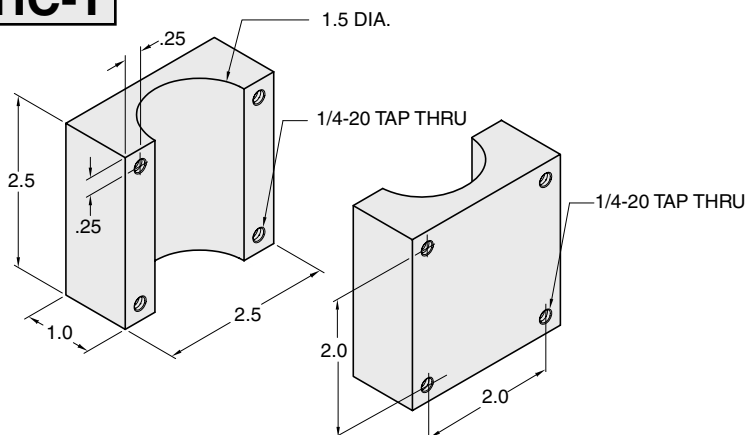
## Right Angle Block

**RAB**



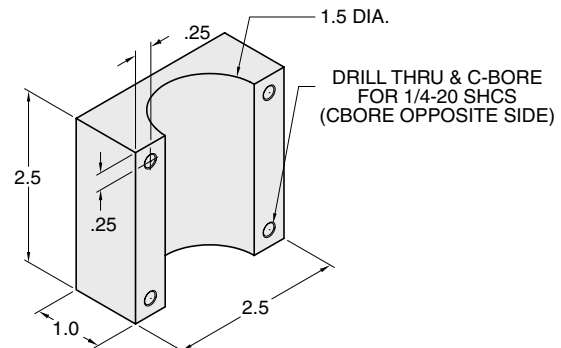
## Half Clamp — Tapped

**HC-T**



## Half Clamp — Counterbored

**HC-B**



**R**