

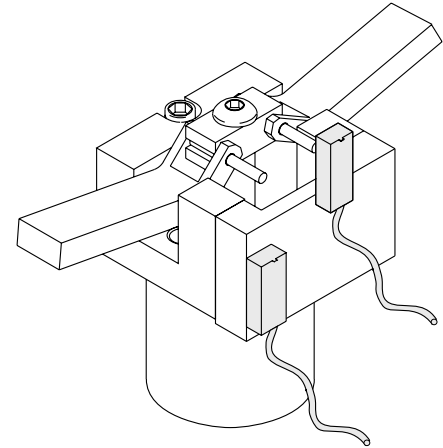
# Gripper

## WIDE OPENING RADIAL MOTION Double Acting



**B-4W**

**B**



Proximity sensors  
preassembled for  
open & closed positions  
(see page 54)

**TECHNICAL DATA:**

Weight	5.5 lbs
Max Rec. Load	30 lbs
Force @ 80 psi	88 lbs @ F
Operating Pressure	60-100 PSI

