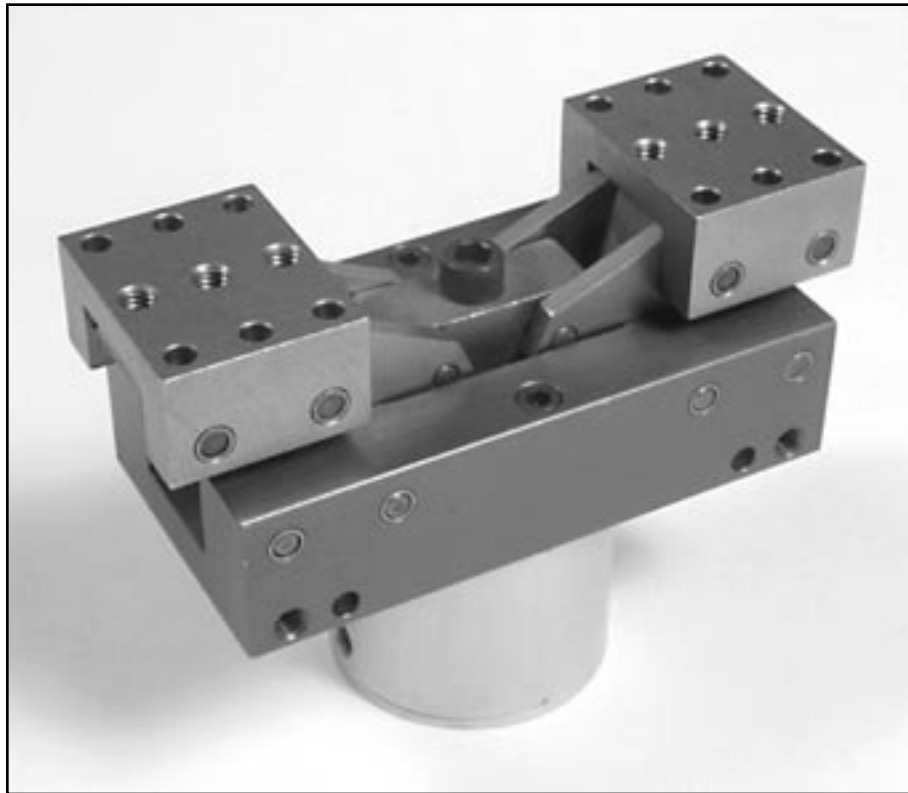


Gripper

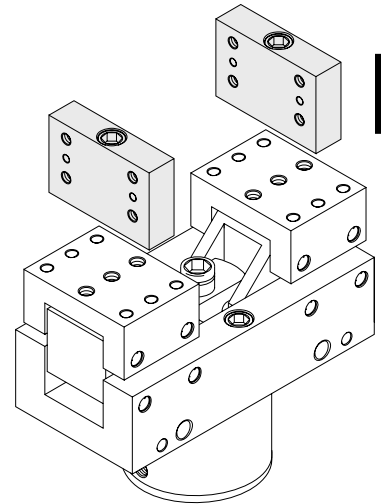
PARALLEL MOTION Double Acting

B-4P

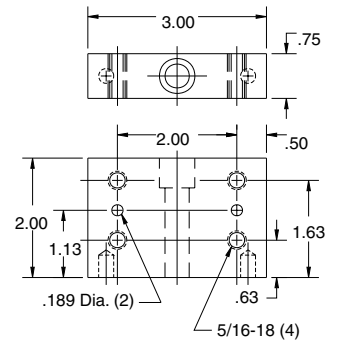


Accessories

B

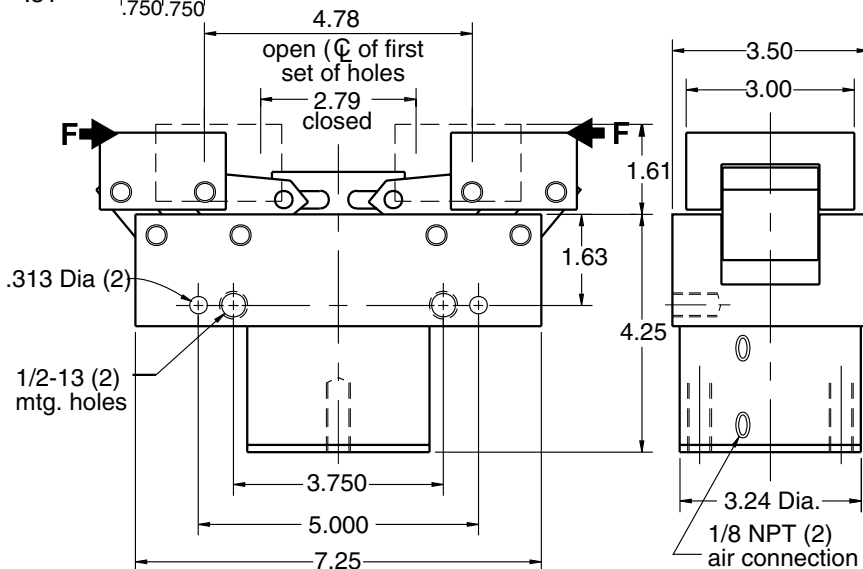
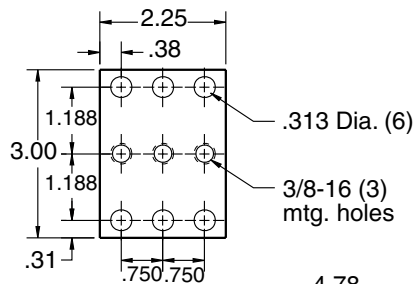


Upright ground steel jaws
for mounting tooling

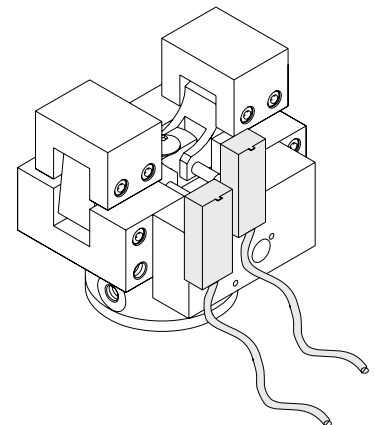


TECHNICAL DATA

Weight	10 lbs
Max Rec. Load	50 lbs
Force @ 80 psi	120 lbs @ F
Operating Pressure	60-100 PSI



J1-4 jaw for B-4P
(bolts & pins included)



Proximity sensors
preassembled for
open & closed positions
(see page 54)