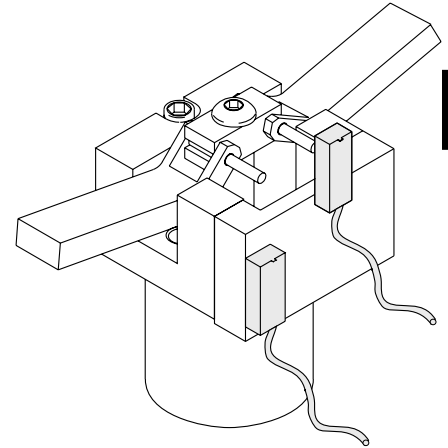


Gripper

WIDE OPENING RADIAL MOTION Double Acting



B-3W



B

Proximity sensors
preassembled for
open & closed positions
(see page 54)

TECHNICAL DATA:

| | |
|--------------------|------------|
| Weight | 3.5 lbs |
| Max Rec. Load | 18 lbs |
| Force @ 80 psi | 55 lbs @ F |
| Operating Pressure | 60-100 PSI |

