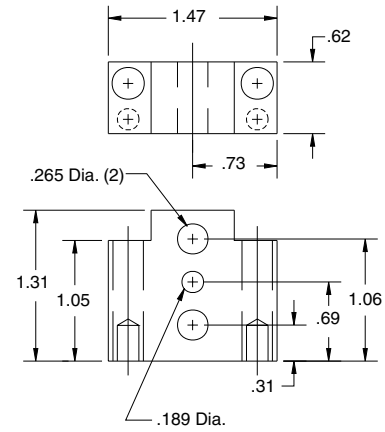


**B-2P3**

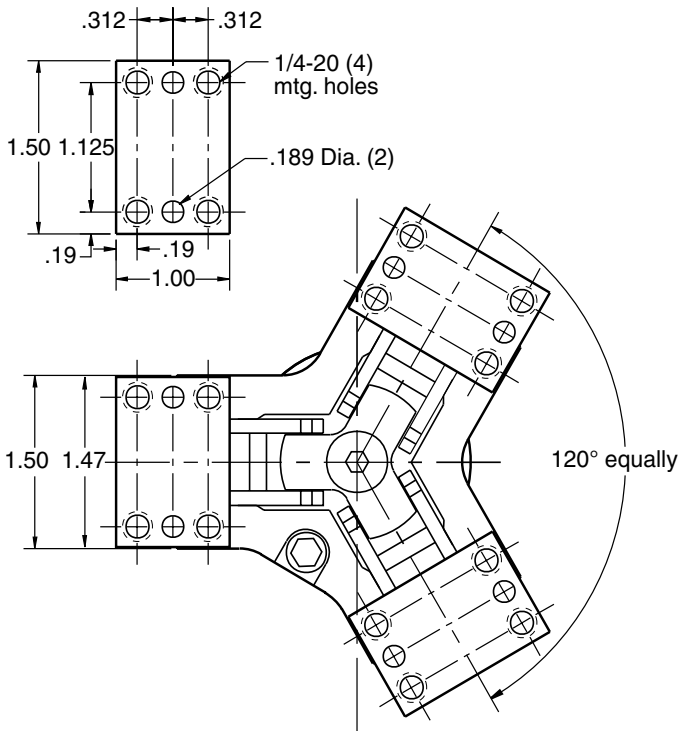
**B**



### Accessory jaws



**J1-2 (3) jaw for B-2P3**  
(bolts & pins included)



TECHNICAL DATA:	
Weight	2.5 lbs
Max Rec. Load	8 lbs
Force @ 80 psi	24 lbs @ F
Operating Pressure	60-100 PSI

