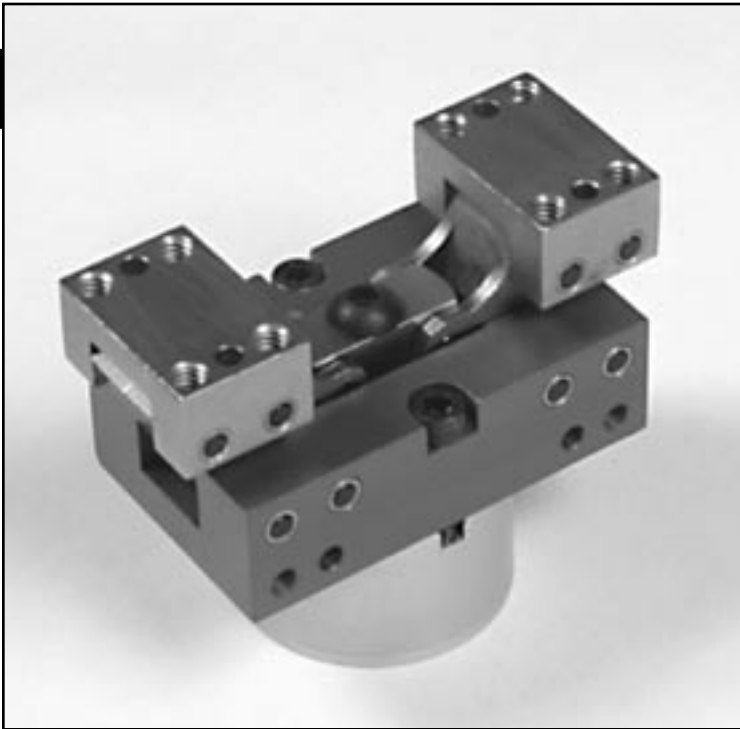
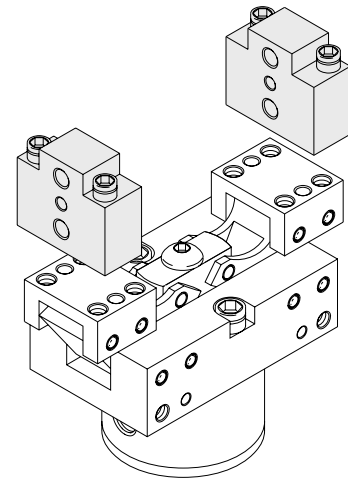


**B-2P**

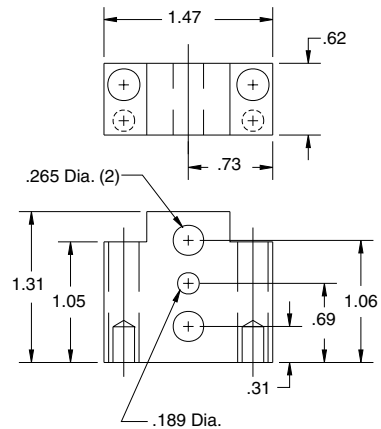
**B**



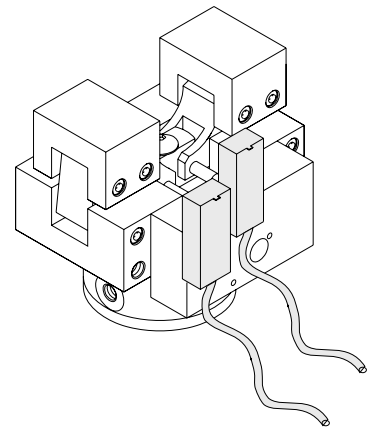
### Accessories



Upright ground steel jaws  
for mounting tooling



**J1-2 jaw for B-2P**  
(bolts & pins included)



Proximity sensors  
preassembled for  
open & closed positions  
(see page 54)

#### TECHNICAL DATA

Weight	1.7 lbs
Max Rec. Load	12 lbs
Force @ 80 psi	40 lbs @ F
Operating Pressure	60-100 PSI

