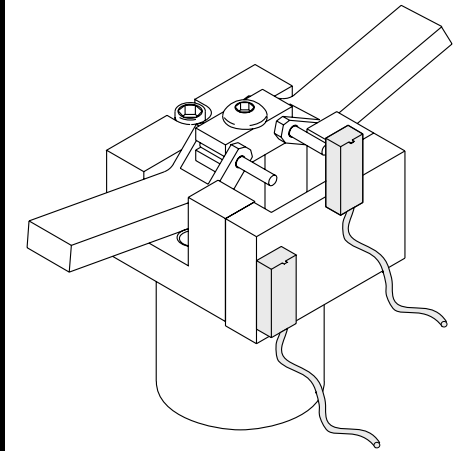


Gripper

WIDE OPENING RADIAL MOTION Double Acting



B-1W



B

Proximity sensors
preassembled for
open & closed positions
(see page 54)

TECHNICAL DATA:	
Weight	11 oz.
Max Rec. Load	2 lbs
Force @ 80 psi	8 lbs @ F
Operating Pressure	60-100 PSI

