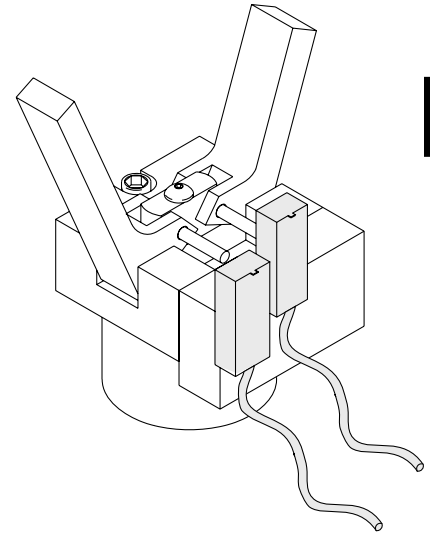


# Gripper

## RADIAL MOTION Double Acting

**B-1S**



**B**

Proximity sensors  
preassembled for  
open & closed positions  
(see page 54)

### TECHNICAL DATA:

Weight	8 oz.
Max Rec. Load	2 lbs
Force @ 80 psi	8 lbs @ F
Operating Pressure	60-100 PSI

