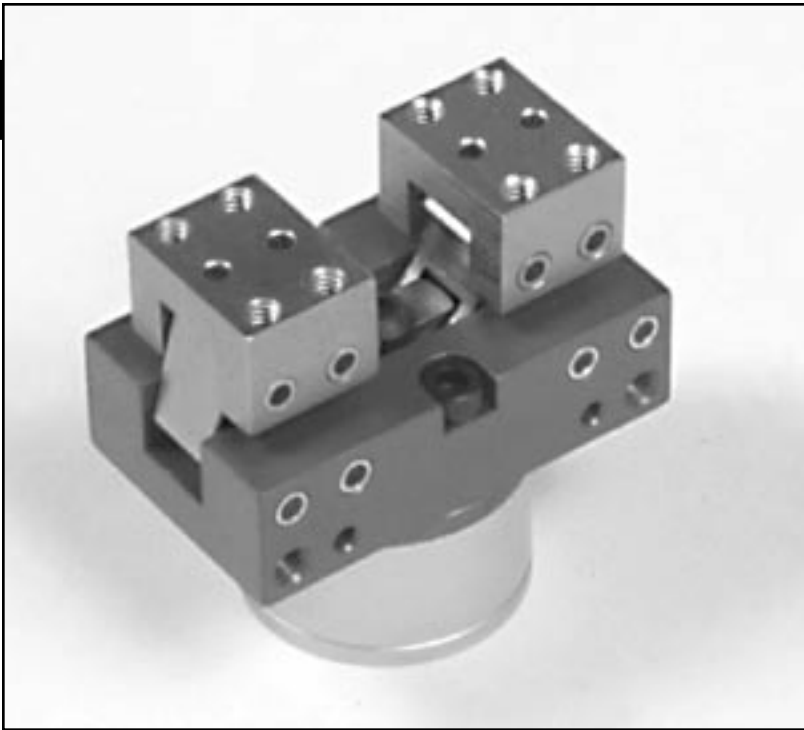
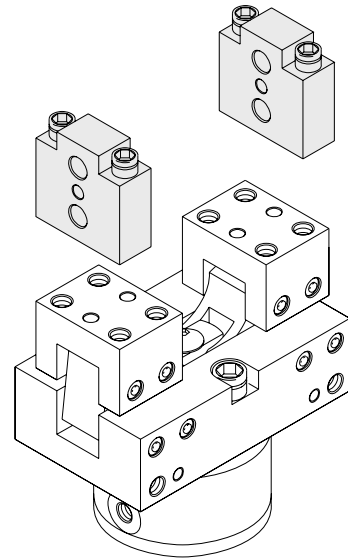


**B-1P**

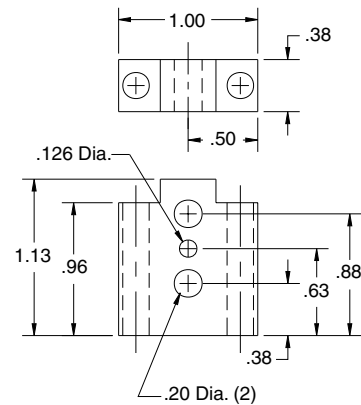
**B**



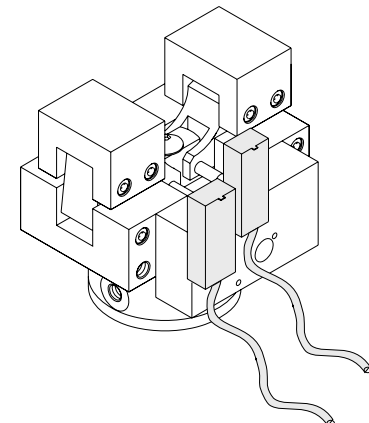
### Accessories



Upright ground steel jaws  
for mounting tooling



**J1-1 jaw for B-1P**  
(bolts & pins included)



Proximity sensors  
preassembled for  
open & closed positions  
(see page 54)

### TECHNICAL DATA

Weight	14 oz.
Max Rec. Load	5 lbs
Force @ 80 psi	20 lbs @ F
Operating Pressure	60-100 PSI

