

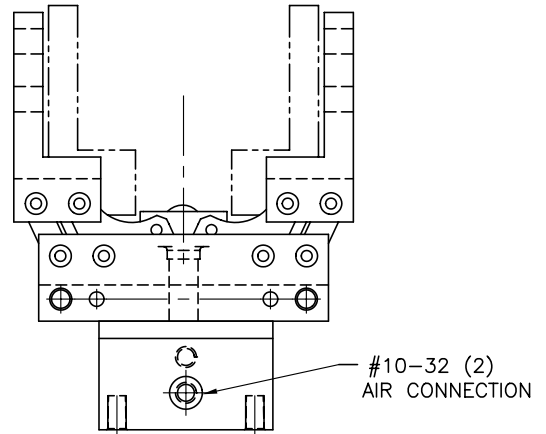
Gripper

B-1P-VJ

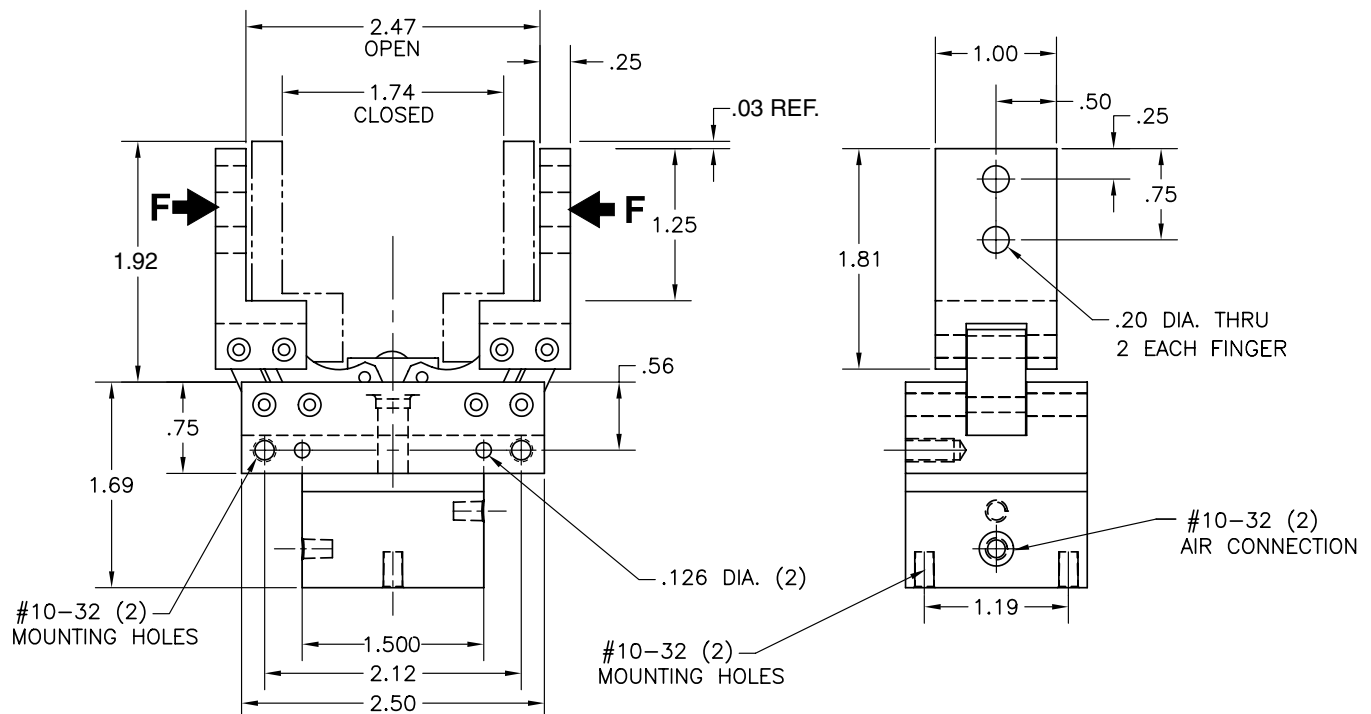


Optional

B-1P-VJ-R



Note: **R** indicates that the position of ports and mounting holes are rotated 90° from standard version as shown above.



Proximity sensors preassembled for open & closed positions (see page 54)

TECHNICAL DATA

Weight	14 oz
Max Rec. Load	5 lbs
Force @ 80 psi	20 lbs @ F
Operating Pressure	60-100 PSI