

# Mini Gripper

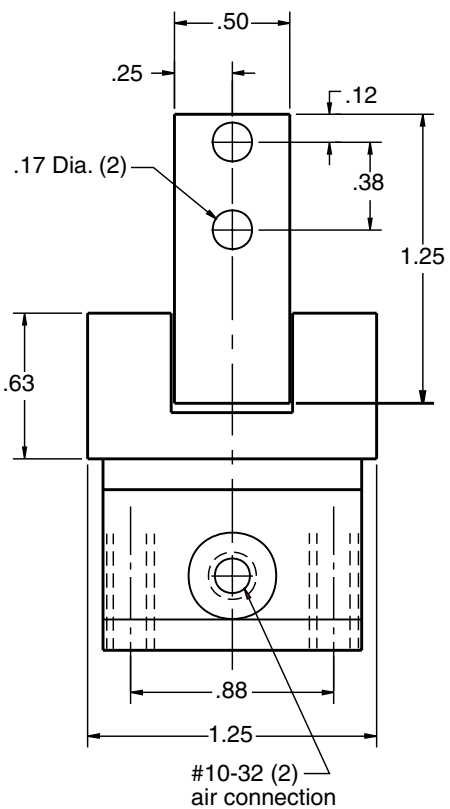
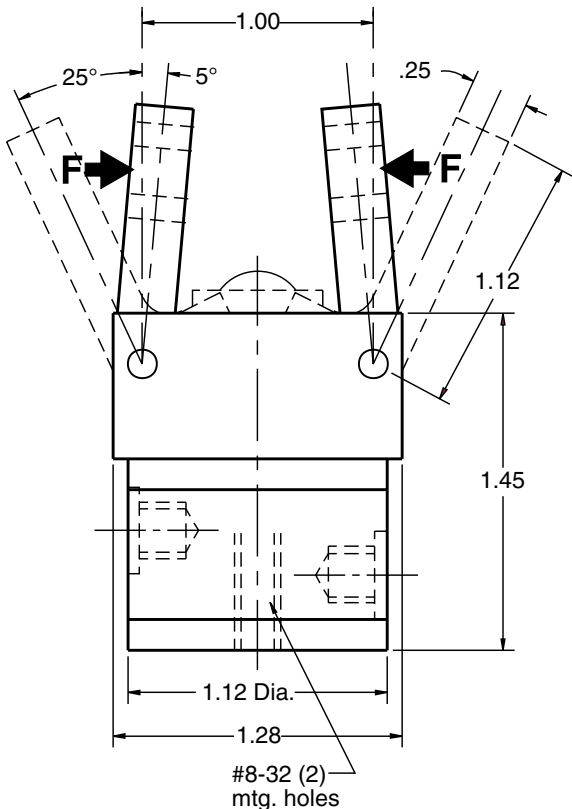
RADIAL MOTION  
Double Acting



**B-0S**

**B**

TECHNICAL DATA:	
Weight	5 oz
Max Rec. Load	0.5 lbs
Force @ 80 psi	3 lbs @ F
Operating Pressure	60-100 PSI



For sensing options, see page 54