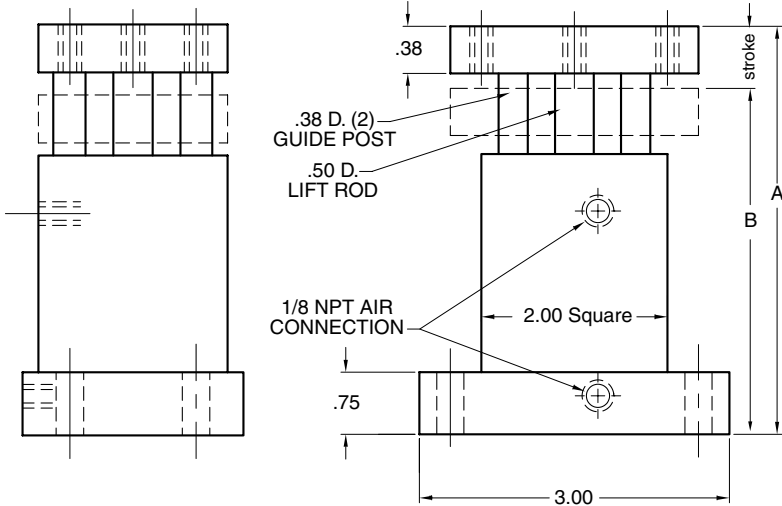
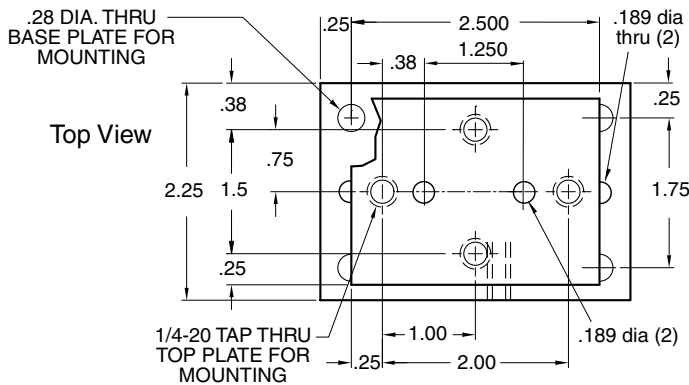
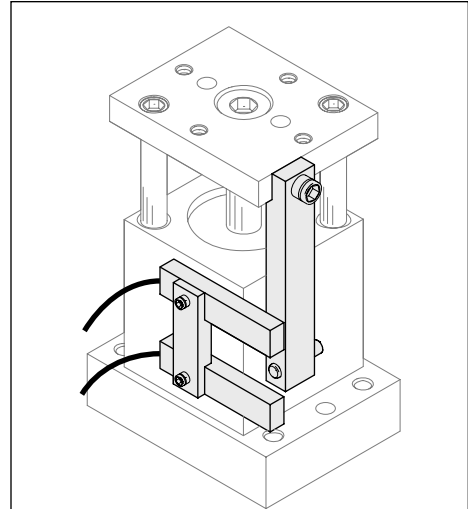




AB3-4



AB3-8



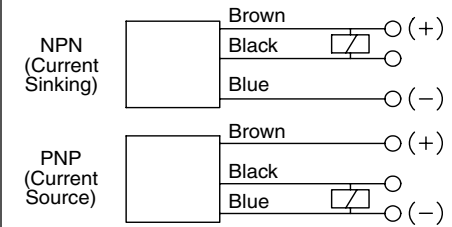
	Stroke	A	B	Force @ 80 psi	Weight
AB3-4	1.00	4.51	3.51	32 lbs	1.75 lbs
AB3-8	2.00	6.56	4.56	32 lbs	2.25 lbs

Technical data	
Bore = 1 1/8"	
Operating medium	Compressed air
Operating pressure	60-80 psi
Repeat accuracy	±0.005

AIRBLOX Sensing

Inductive proximity type

Function Schematic:



Technical Data:

Operating Voltage	10-30 VDC
Mac. Overload	10%
Open Circuit Current	100mA
MS. Current Overload	100mA
Output Function	NPN or PNP
Output Type	Digital
Max. Switch Frequency	600Hz min.
Status Indicator with LED	Yes
Sensing Distance	.11 inch
Overvoltage Protection	No
Polarity Protection	Yes
Short Circuit Protection	No
Operating Temperature	-14°F to +158°F
Main Material of Construction	Plastic (ABS)
Connection	6 ft. - 3 wire cable

Description:

Sensor switch with 6' cable molded in

Order No.:

NPN	ABP-N
PNP	ABP-P